



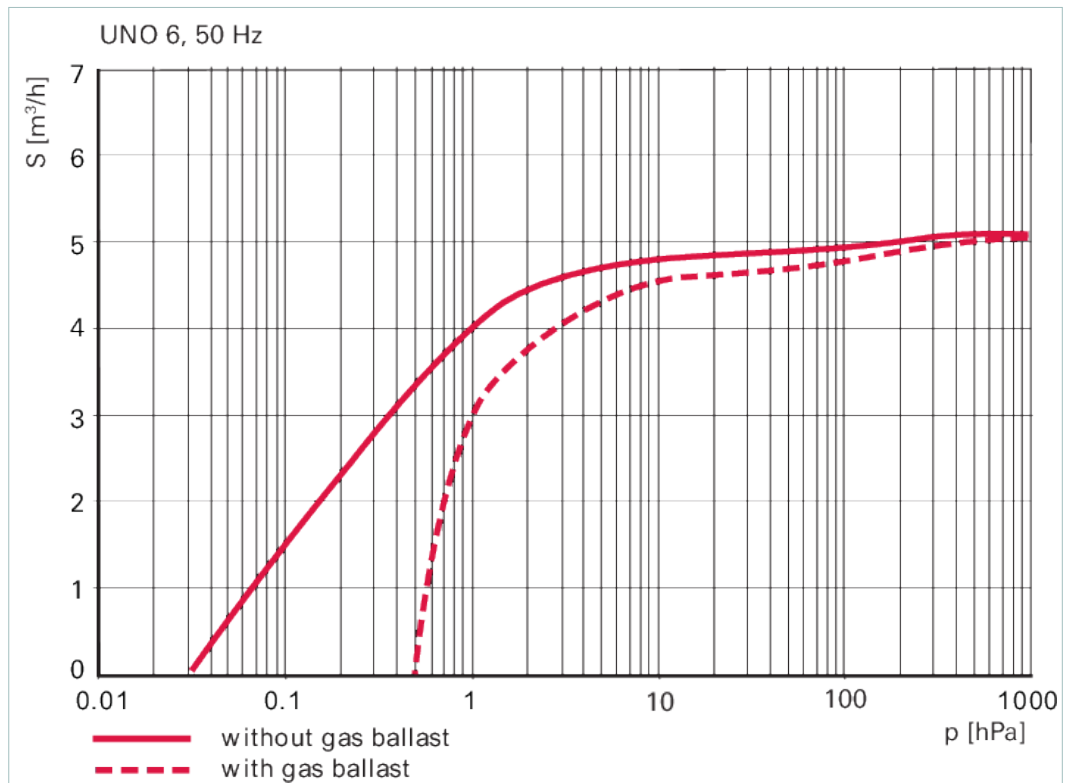
**Duo 6, 1-phase motor, 105 V,  
50 Hz | 115–125 V, 60 Hz**

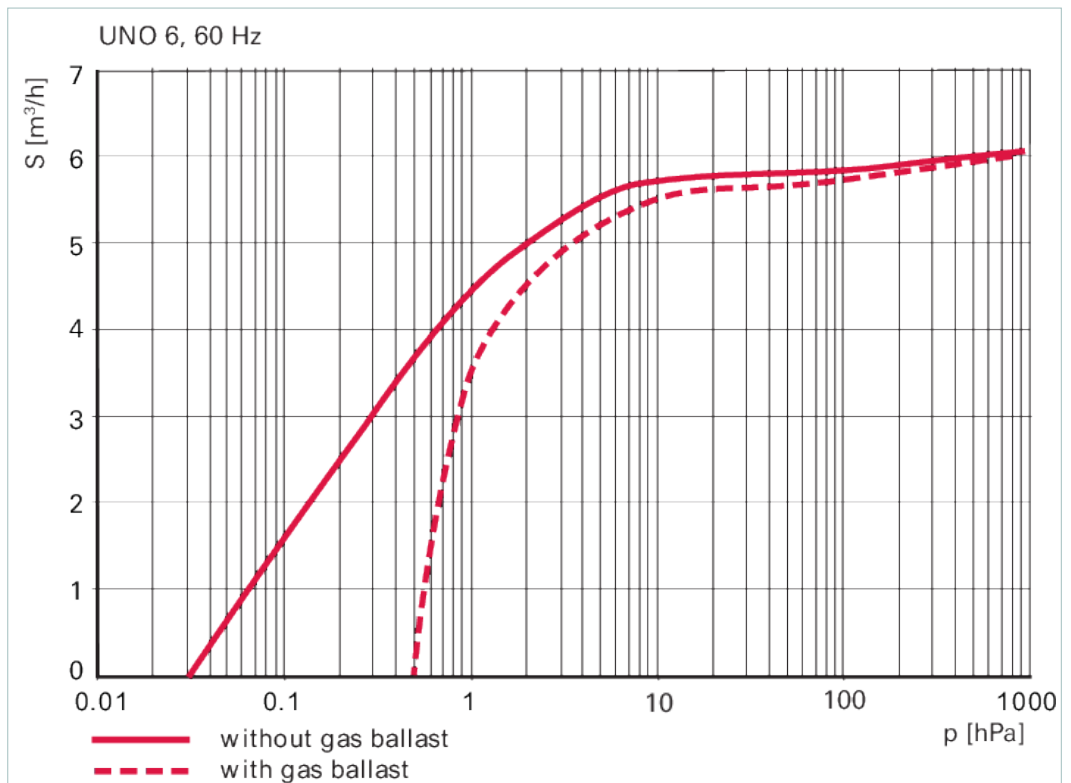


Similar Image

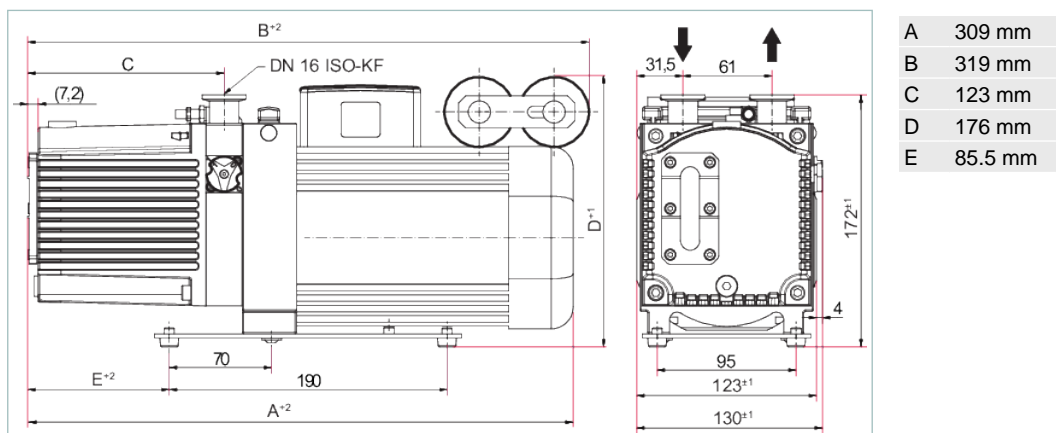
## Duo 6, 1-phase motor, 105 V, 50 Hz | 115–125 V, 60 Hz

- Single-stage, high-performance rotary vane pump with a pumping speed of 4.8 m<sup>3</sup>/h at 50 Hz / 5.8 m<sup>3</sup>/h at 60 Hz
- With single-phase motor with C14 connector plug inside the terminal box
- Integrated gas ballast and safety valve
- For all low and medium vacuum applications
- Optional with magnetic coupling
- Special feature: Various motor voltages for worldwide employment
- Other motor voltages available on request
- The most compact pumps in this pumping speed class





#### Dimensions



#### Technical Data

#### Duo 6, 1-phase motor, 105 V, 50 Hz | 115–125 V, 60 Hz

Pumping speed at 60 Hz	5.8 m³/h   3.41 cfm   96.67 l/min
Pumping speed at 50 Hz	4.8 m³/h   2.83 cfm   80 l/min
Protection category	IP40
Ultimate pressure with gas ballast	$5 \cdot 10^{-1}$ hPa   $3.75 \cdot 10^{-1}$ Torr   $5 \cdot 10^{-1}$ mbar
Ultimate pressure without gas ballast	$3 \cdot 10^{-2}$ hPa   $2.25 \cdot 10^{-2}$ Torr   $3 \cdot 10^{-2}$ mbar
Flange (in)	DN 16 ISO-KF
Flange (out)	DN 16 ISO-KF
Rated power 50 Hz	0.15 kW
Rated power 60 Hz	0.18 kW
Recommended mains fuse capacity	6 A
Motor version	1-ph motor
Motor protection	Bimetal
Mains cable	No
Cooling method, standard	Air

Technical Data	Duo 6, 1-phase motor, 105 V, 50 Hz   115–125 V, 60 Hz
Ambient temperature	12-40 °C   53.6-104 °F   285-313 K
Exhaust pressure, max.	1,500 hPa   1,125 Torr   1,500 mbar
Exhaust pressure, min.	250 hPa   187.5 Torr   250 mbar
Emission sound pressure level without gas ballast at 50 Hz	56 dB(A)
Operating fluid	P3
Operating fluid filling	0.4 l
Rotation speed at 50 Hz	3,000 rpm   3,000 min <sup>-1</sup>
Rotation speed at 60 Hz	3,600 rpm   3,600 min <sup>-1</sup>
Leak rate safety valve	≤ 1 · 10 <sup>-5</sup> Pa m <sup>3</sup> /s   ≤ 7.5 · 10 <sup>-5</sup> Torr l/s   ≤ 1 · 10 <sup>-4</sup> mbar l/s
Dimensions (L x W x H)	321 x 128 x 188 mm   12.64 x 5.04 x 7.4 inch
Weight	11.5 kg   25.35 lb

Order number	
Uno 6	PK D07 707

Accessories	
<b>Cables Mains cables / Power cords</b>	
Mains cable 230 V with safety plug, right angle IEC 320/C13 socket, 2 m	PK 050 109
Mains cable 115 V with NEMA-plug, right angle IEC 320/C13 socket, 2 m	PK 050 110
Mains cable 115/230 V without plug, rubber connector (right angle), 3 m	PK 050 111
<b>Monitoring Operations monitoring units</b>	
Operations monitoring unit 3 for Duo 1.6/3/6/11 and Duo 5/10/20 M	PK 196 146 -T
Operations monitoring unit 2 for Duo 1.6/3/6/11 and Duo 5/10/20 M	PK 196 147 -T
Operations monitoring unit 1 for Duo 1.6/3/6/11 and Duo 5/10/20 M	PK 196 148 -T
<b>Protection Condensate separators</b>	
KAS 16, condensate separator for pumping speeds from 1.6 to 12 m <sup>3</sup> /h	PK Z10 003
<b>Protection Dust separators/Inlet particle filters</b>	
SAS 16, DN 16 ISO-KF, polyester filter	PK Z60 506
<b>Protection Oil mist eliminators</b>	
OME 16 S, oil mist separator for pumping speeds up to 12 m <sup>3</sup> /h	PK Z40 000
OME 16 M, oil mist separator for pumping speeds up to 12 m <sup>3</sup> /h	PK Z40 003
<b>Protection Oil return units from oil mist eliminators</b>	
Oil return unit from OME 16 S/16 C to Duo 1.6/Duo 3/Duo 6/Duo 11/Uno 6	PK 005 986 -T
Oil return unit from OME 16 M to Duo 1.6, 3, 6, 11, Uno 6	PK 006 080 -T
<b>Protection Sorption traps</b>	
ZFO 16, zeolite trap	PK Z70 003
<b>Valves Gas ballast valves, magnetic</b>	
Gas ballast valve with solenoid valve 24 V DC	PK 194 343 -U
<b>Consumables</b>	
P3, mineral oil, 1 l	PK 001 106 -T
P3, mineral oil, 0.5 l	PK 001 136 -T

## **VACUUM SOLUTIONS FROM A SINGLE SOURCE**

Pfeiffer Vacuum stands for innovative and custom vacuum solutions worldwide, technological perfection, competent advice and reliable service.

## **COMPLETE RANGE OF PRODUCTS**

From a single component to complex systems:

We are the only supplier of vacuum technology that provides a complete product portfolio.

## **COMPETENCE IN THEORY AND PRACTICE**

Benefit from our know-how and our portfolio of training opportunities!

We support you with your plant layout and provide first-class on-site service worldwide.

Are you looking for a  
perfect vacuum solution?  
Please contact us:

**Pfeiffer Vacuum GmbH**  
Headquarters · Germany  
T +49 6441 802-0  
info@pfeiffer-vacuum.de

[www.pfeiffer-vacuum.com](http://www.pfeiffer-vacuum.com)

All data subject to change without prior notice.

**PFEIFFER**  **VACUUM**